



SALTRONIX, INC.
INDUSTRIAL SERVICE CENTER

RTD Simulator

Models: 250-3 & 250-4

(3 WIRES) (4 WIRES)

FEATURES

Platinum RTD Curve
10 Direct Temperature Outputs
Range of 0 to 250°F
±0.2°F Accuracy



INSTRUMENT DESCRIPTION

The Saltronix Model 250 RTD Simulator is the effective and affordable solution for on the go testing and calibration of RTD instrumentation. Constructed using high quality components and conforming to current industry standards ensures this unit will provide the utmost reliability, accuracy and consistency at a reasonable cost.

You will be pleased with the new Saltronix Model 250 RTD Simulator.

Operation

As shown in the connection instructions, attach the leads of the RTD Simulator to the terminals of the unit to be tested. The Saltronix Model 250 provides 10 precision temperature selections in degrees Fahrenheit. Rotate the temperature selection knob to the desired temperature.

Specifications

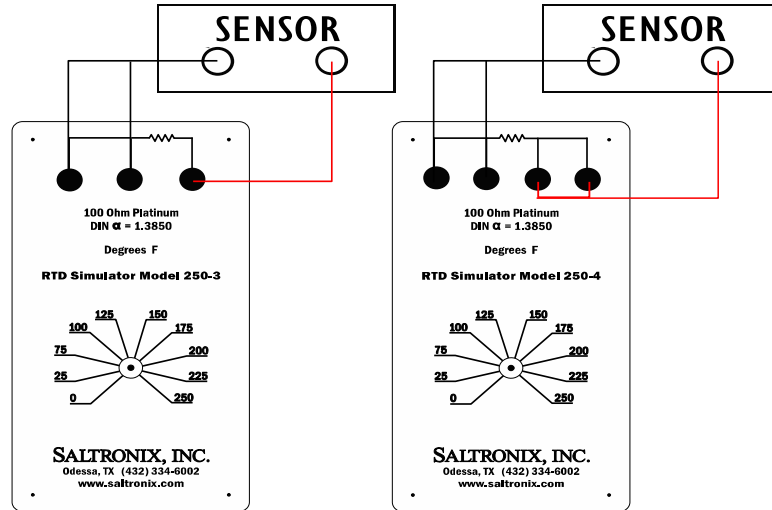
Accuracy: Pt 100 Ohm $\pm 0.2^\circ\text{F}$
Temperature Drift: $\pm 0.015 \Omega / \text{Deg F}$
Allowed Excitation Current:
0 to 5 milliamps, intermittent or steady
Recommended Operating Temperature Range:
-12 to 120°F
Recommended Storage Temperature Range:
-12 to 185°F
Allowed Relative Humidity:
Non-Condensing, 10 to 90%
Size: H 7.10" x W 2.55" x D 1.565"
Weight: 5.5oz

WARRANTY

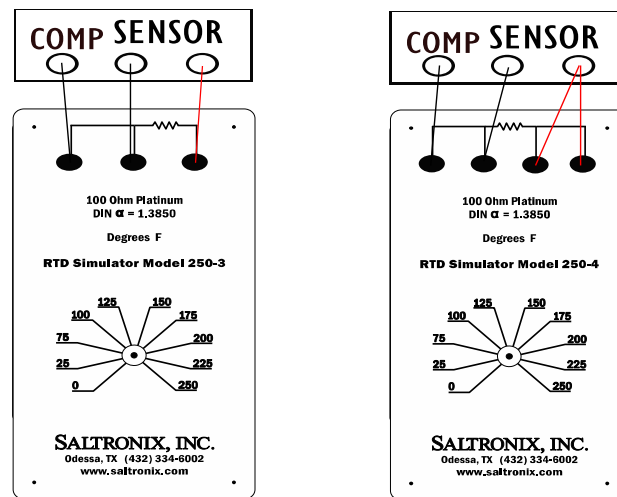
Saltronix manufactures equipment with the highest grade materials and expertise. This unit comes with one (1) year warranty. During this time, any claims made concerning the equipment must be processed by returning the equipment to our facility. The customer is responsible for any shipping fees. Adjustment, repair, or replacement will be provided at our discretion. Saltronix, Inc. cannot accept responsibility for loss, damage, misuse, and/or any expense incurred by means of sale or use of this equipment. Under no conditions will Saltronix, Inc. be liable for any special, circumstantial, incidental, or consequential damage. There are no authorized repair centers for these units. Any attempts to repair by an unauthorized repair center will void the warranty. Saltronix, Inc.'s liability is limited to the aforementioned provisions given under this warranty.

OPERATING INSTRUCTIONS

HOOKUP FOR 2 WIRE SENSOR CONNECTION



HOOKUP FOR 3 WIRE SENSOR CONNECTION



HOOKUP FOR 4 WIRE SENSOR CONNECTION

