



SALTRONIX, INC.
INDUSTRIAL SERVICE CENTER

RTD Simulator

Models: 250-3 & 250-4

(3 WIRES) (4 WIRES)

FEATURES

Platinum RTD Curve
10 Direct Temperature Outputs
Range of 0 to 250°F
±0.2°F Accuracy



INSTRUMENT DESCRIPTION

The Saltronix Model 250 RTD Simulator is the effective and affordable solution for on the go testing and calibration of RTD instrumentation. Constructed using high quality components and conforming to current industry standards insures this unit will provide the utmost reliability, accuracy and consistency at a reasonable cost.

You will be pleased with the new Saltronix Model 250 RTD Simulator.

Operation

Take care to attach the leads of the RTD Simulator, per the connection instructions shown, to the terminals of the unit to be tested so that good contact is made. The Saltronix Model 250 provide 10 precision temperature selections in degrees Fahrenheit. Simply rotate the temperature selection knob to the desired temperature.

Specifications

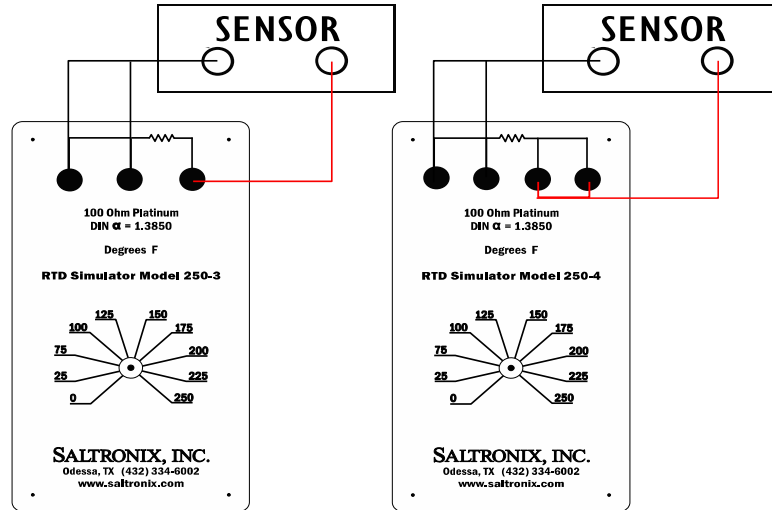
Accuracy: Pt 100 Ohm ±0.2°F
Temperature Drift: ±.015 Ω / Deg F
Allowed Excitation Current:
0 to 5 milliamps, intermittent or steady
Recommended Operating Temperature Range:
-12 to 120°F
Recommended Storage Temperature Range:
-12 to 185°F
Allowed Relative Humidity:
Non-Condensing, 10 to 90%
Size: H 7.10" x W 2.55" x D 1.565"
Weight: 5.5oz

WARRANTY

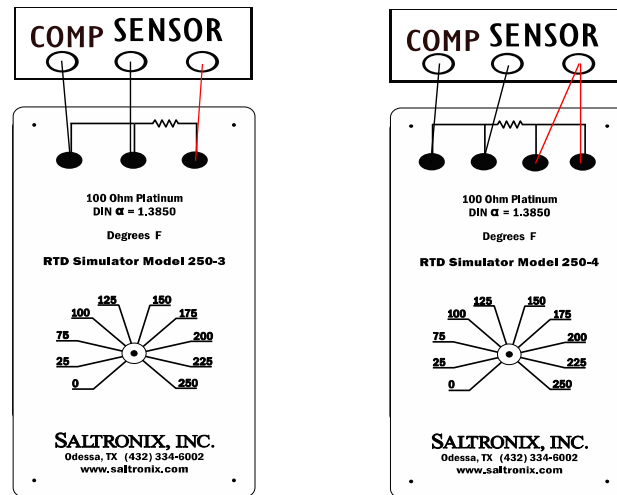
Saltronix manufactures equipment with the highest grade materials and expertise. This unit comes with one (1) year warranty. During this time, any claims to be made concerning the equipment must be processed by returning the equipment, prepaid, to our facility. Adjustment, repair, or replacement will be provided at our discretion. Saltronix, Inc.'s liability is limited to the aforementioned provisions given under this warranty. Saltronix, Inc. cannot accept responsibility for loss, damage, misuse, and/or any expense incurred by means of sale or use of this equipment. Under no conditions will Saltronix, Inc. be liable for any special, circumstantial, incidental, or consequential damage.

OPERATING INSTRUCTIONS

HOOKUP FOR 2 WIRE SENSOR CONNECTION



HOOKUP FOR 3 WIRE SENSOR CONNECTION



HOOKUP FOR 4 WIRE SENSOR CONNECTION

